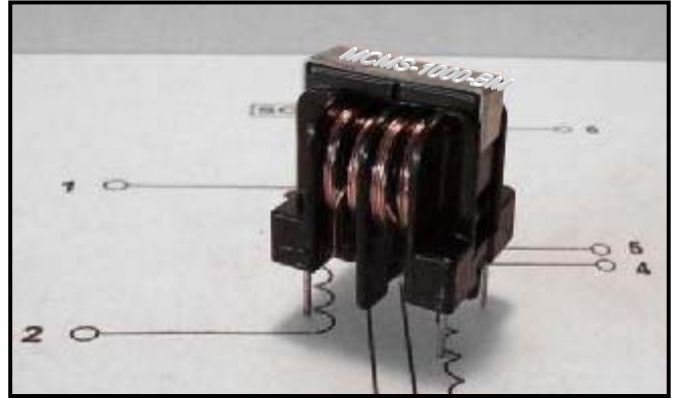
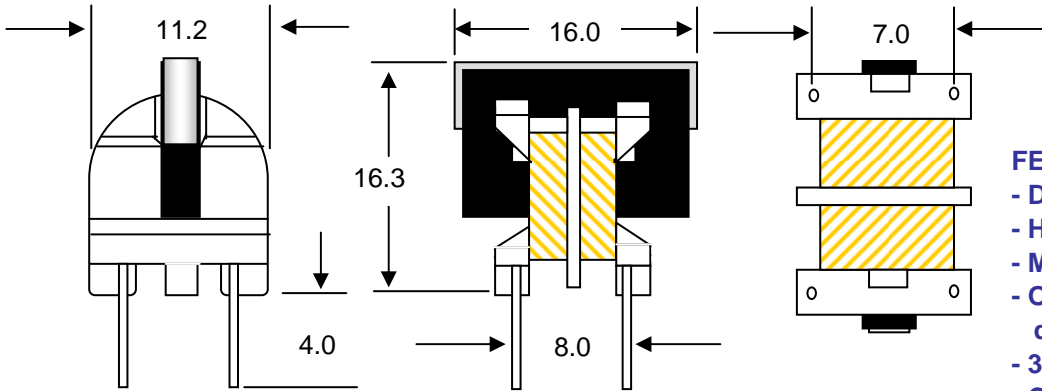




**MSR
Electronics**



COMMON MODE CHOKES - Series MCMS1000



RoHS

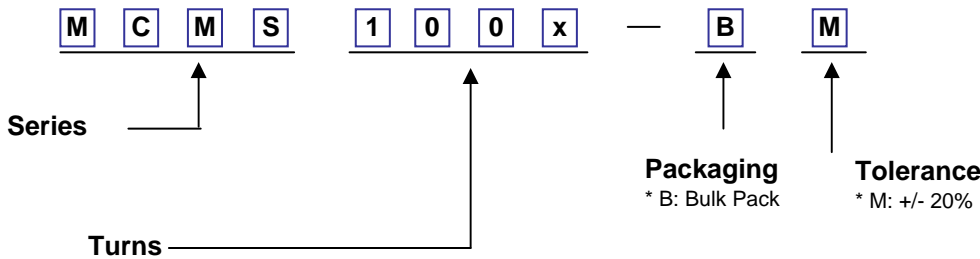
Compliant: Contact
Factory for Copy of
Test Report



FEATURES:

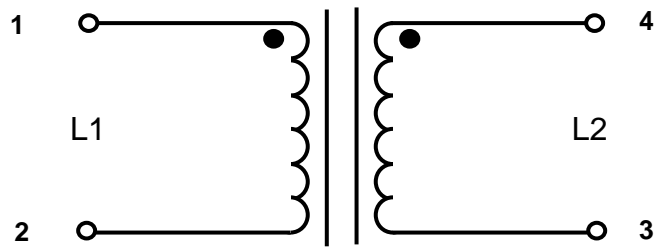
- Dimensions (mm)
- Hipot breakdown is 3750 Volts
- Materials meet UL class B
- Operating Temp: -40 to +80 degrees C
- 30 Degree C Temp rise at Irms
- Core Platform = UU9.8mm

PART NUMBER SYSTEM



Part Number	Inductance- L1 mH @ 1 KHz @ 1 V	Inductance- L2 mH @ 1 KHz @ 1 V	DCR OHMS Max ea Winding	Irms mA Max	Frequency Range @ 250Vac
MCMS-1000-BM	0.1	0.1	0.03	3000	45 - 400 Hz
MCMS-1001-BM	0.2	0.2	0.06	2000	45 - 400 Hz
MCMS-1002-BM	0.5	0.5	0.12	1500	45 - 400 Hz
MCMS-1003-BM	0.9	0.9	0.16	1500	45 - 400 Hz
MCMS-1004-BM	0.9	0.9	0.16	1000	45 - 400 Hz
MCMS-1005-BM	1.5	1.5	0.30	800	45 - 400 Hz
MCMS-1006-BM	3.3	3.3	0.50	600	45 - 400 Hz
MCMS-1007-BM	5.6	5.6	0.75	450	45 - 400 Hz
MCMS-1008-BM	10	10	1.40	350	45 - 400 Hz
MCMS-1009-BM	22	22	3.70	250	45 - 400 Hz
MCMS-1010-BM	33	33	4.95	200	45 - 400 Hz
MCMS-1011-BM	47	47	7.00	150	45 - 400 Hz

SCHEMATIC



HOLE PATTERN

