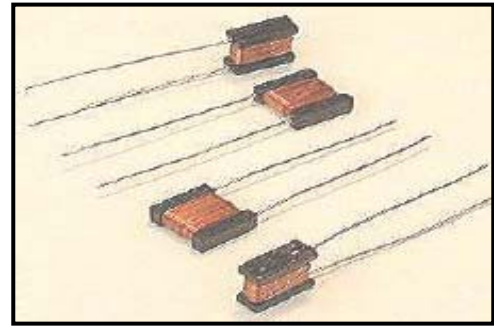
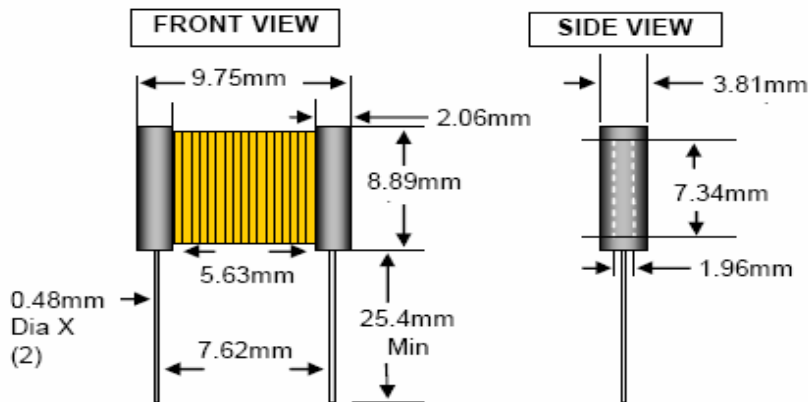




**MSR
Electronics**



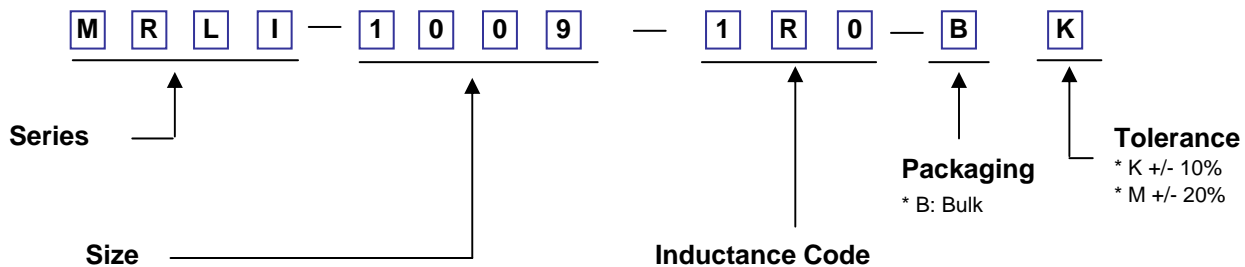
FLAT COIL INDUCTORS: Series MRLI-1009



FEATURES:

- High "Q" for use in Cable TV Set Top Receivers.
- Solder Heat Resistance: 260 °C for 10 seconds
- Temp Rise: 35 °C @ Irms
- L drops 5% @ Isat
- Operating Temp: -55 °C to +105 °C
- Spec Ratings at 25 °C

PART NUMBER SYSTEM



Part Number	Inductance L(uH)	"Q" Min	Test Frequency (MHz)	DCR Max	I rated Amps	I sat Amps
MRLI-1009-1R0BM	1.00	37	7.96	0.010	3.60	7.00
MRLI-1009-1R2BM	1.20	39	7.96	0.012	3.30	6.00
MRLI-1009-1R5BM	1.50	33	7.96	0.014	3.00	5.00
MRLI-1009-1R8BM	1.80	37	7.96	0.020	2.50	4.80
MRLI-1009-2R2BM	2.20	38	7.96	0.025	2.30	4.40
MRLI-1009-2R7BM	2.70	43	7.96	0.028	2.20	4.00
MRLI-1009-3R3BM	3.30	35	7.96	0.036	1.90	3.70
MRLI-1009-3R9BM	3.90	37	7.96	0.050	1.60	3.40
MRLI-1009-4R7BM	4.70	37	7.96	0.053	1.50	3.20
MRLI-1009-5R6BM	5.60	35	7.96	0.092	1.20	2.80

Part Number	Inductance L(μ H)	"Q" Min	Test Frequency (MHz)	DCR Max	I rated Amps	I sat Amps
MRLI-1009-6R8BM	6.80	29	7.96	0.113	1.10	2.60
MRLI-1009-8R2BM	8.20	32	7.96	0.116	1.10	2.20
MRLI-1009-100BK	10.0	31	7.96	0.120	1.00	2.10
MRLI-1009-120BK	12.0	55	2.52	0.140	0.96	2.00
MRLI-1009-150BK	15.0	51	2.52	0.158	0.91	1.60
MRLI-1009-180BK	18.0	46	2.52	0.180	0.85	1.50
MRLI-1009-220BK	22.0	51	2.52	0.230	0.75	1.40
MRLI-1009-270BK	27.0	52	2.52	0.265	0.70	1.30
MRLI-1009-330BK	33.0	47	2.52	0.346	0.61	1.20
MRLI-1009-390BK	39.0	46	2.52	0.371	0.59	1.10
MRLI-1009-470BK	47.0	45	2.52	0.502	0.51	1.00
MRLI-1009-560BK	56.0	45	2.52	0.687	0.44	0.95
MRLI-1009-680BK	68.0	46	2.52	0.888	0.38	0.90
MRLI-1009-820BK	82.0	53	2.52	1.200	0.3	0.85
MRLI-1009-101BK	100	39	0.796	1.500	0.29	0.80
MRLI-1009-121BK	120	75	0.796	1.730	0.27	0.65
MRLI-1009-151BK	150	60	0.796	1.960	0.26	0.60
MRLI-1009-181BK	180	75	0.796	2.070	0.25	0.56
MRLI-1009-221BK	220	63	0.796	2.190	0.24	0.49
MRLI-1009-271BK	270	68	0.796	2.530	0.23	0.45
MRLI-1009-331BK	330	64	0.796	3.340	0.20	0.41
MRLI-1009-391BK	390	60	0.796	3.450	0.19	0.39
MRLI-1009-471BK	470	70	0.796	5.290	0.16	0.35
MRLI-1009-561BK	560	68	0.796	5.410	0.16	0.32
MRLI-1009-681BK	680	64	0.796	5.930	0.15	0.29
MRLI-1009-821BK	820	60	0.796	6.330	0.14	0.27
MRLI-1009-102BK	1000	40	0.796	7.310	0.14	0.25
MRLI-1009-122BK	1200	70	0.252	10.00	0.11	0.20
MRLI-1009-152BK	1500	72	0.252	14.30	0.10	0.19
MRLI-1009-182BK	1800	72	0.252	15.80	0.091	0.17
MRLI-1009-222BK	2200	72	0.252	17.60	0.086	0.15
MRLI-1009-272BK	2700	72	0.252	19.30	0.082	0.14
MRLI-1009-332BK	3300	72	0.252	21.70	0.077	0.13
MRLI-1009-392BK	3900	70	0.252	26.00	0.071	0.12
MRLI-1009-472BK	4700	63	0.252	29.90	0.066	0.11
MRLI-1009-752BK	7500	20	0.252	55.00	0.045	0.08
MRLI-1009-103BK	10,000	40	0.0796	80.00	0.040	0.07

GENERAL PARAMETERS: Schematic, Packaging

