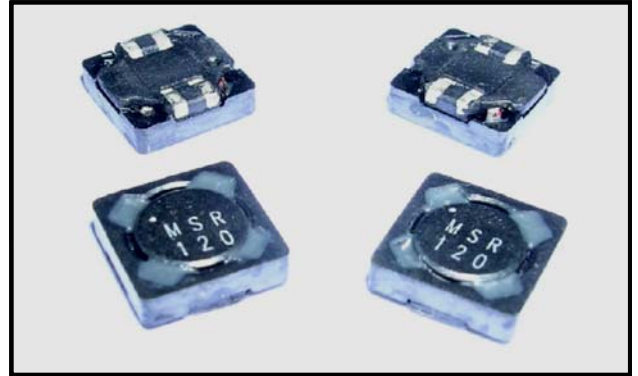




MSR Electronics

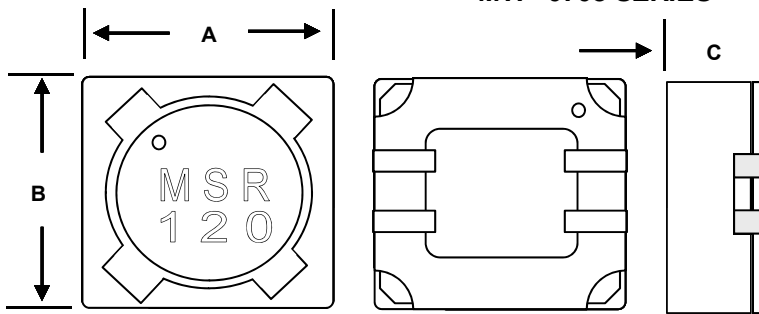


EST. 1999



SHIELDED SMD DUAL INDUCTOR / TRANSFORMER

MTI - 0703 SERIES



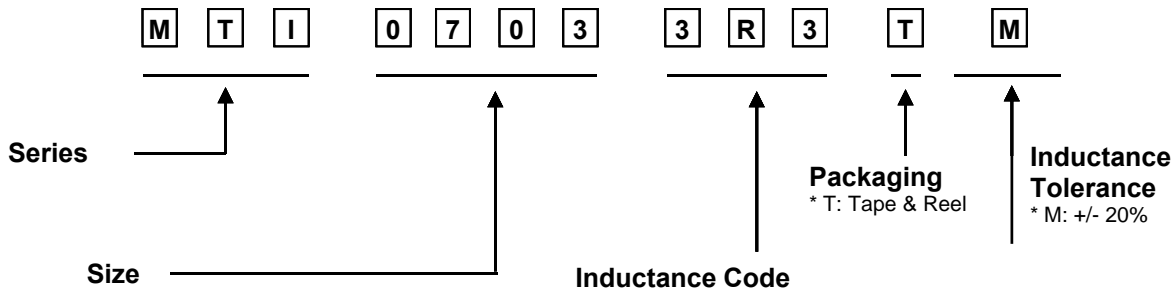
RoHS
Compliant
per EU
2002/95/EC



FEATURES:

- Solder Heat Resistance: 260 °C for 10 seconds
- Dimensions (mm)
- Turns Ratio = 1:1
- Temp Rise = 40 °C @ I rms
- Inductance Drop = 20% @ Isat
- Operating Temp = -40 to +85 °C
- Spec Ratings are at 25 °C

PART NUMBER SYSTEM



Part Number	OCL (μH) 500 KHz @ 1.0Vrms L1 & L2	DCR Ω MAX L1 & L2	I rms (A) @ 40° Temp ^	I sat (A) w/ 20% Rolloff	Dimensions (mm)			Qty/ 13" Reel
					A MAX	B MAX	C MAX	
MTI-0703-3R3TM	3.66	0.070	2.21	1.840	7.5	7.5	2.65	1400
MTI-0703-4R7TM	4.47	0.097	1.87	1.670	7.5	7.5	2.65	1400
MTI-0703-100TM	9.73	0.217	1.25	1.130	7.5	7.5	2.65	1400
MTI-0703-120TM	12.40	0.255	1.15	1.000	7.5	7.5	2.65	1400
MTI-0703-150TM	15.40	0.346	0.99	0.900	7.5	7.5	2.65	1400
MTI-0703-220TM	22.37	0.511	0.82	0.740	7.5	7.5	2.65	1400
MTI-0703-330TM	32.90	0.769	0.66	0.610	7.5	7.5	2.65	1400
MTI-0703-470TM	48.21	1.177	0.54	0.510	7.5	7.5	2.65	1400
MTI-0703-680TM	66.43	1.449	0.48	0.432	7.5	7.5	2.65	1400
MTI-0703-820TM	80.20	1.643	0.45	0.393	7.5	7.5	2.65	1400
MTI-0703-101TM	99.24	2.207	0.39	0.354	7.5	7.5	2.65	1400
MTI-0703-151TM	138.6	2.754	0.35	0.299	7.5	7.5	2.65	1400
MTI-0703-221TM	212.9	4.148	0.29	0.241	7.5	7.5	2.65	1400
MTI-0703-331TM	331.7	6.403	0.23	0.193	7.5	7.5	2.65	1400

Part Number	OCL (μH) 500 KHz @ 1.0Vrms L1 & L2	DCR Ω MAX L1 & L2	I rms (A) @ 40° Temp ^	I sat (A) w/ 20% Rolloff	Dimensions (mm)			
					A MAX	B MAX	C MAX	Qty/ 13" Reel
MTI-0703-681TM	627.8	13.46	0.16	0.141	7.5	7.5	2.65	1400
MTI-0703-821TM	822.4	16.14	0.15	0.123	7.5	7.5	2.65	1400
MTI-0703-102TM	966.7	20.93	0.13	0.113	7.5	7.5	2.65	1400

GENERAL PARAMETERS: Layout, Schematic, Packaging

